

integrate elegance with premium living



EN MAR 2022

Explore all of our outdoor solutions at

[www.alumil.com](http://www.alumil.com)



**ALUMIL  
HEAD OFFICES  
& SHOWROOM - THESSALONIKI**  
GOGOUSI 8, EFKARPIA  
THESSALONIKI - GR 56429  
TEL.: +30 2313 011000  
FAX: +30 2310 692473  
E-MAIL: [info@alumil.com](mailto:info@alumil.com)

**ALUMIL  
OFFICES & SHOWROOM - ATHENS**  
TATOIOU AVENUE 67, ACHARNES  
ATHENS - GR 13677  
TEL.: +30 210 6298100  
FAX: +30 210 8003801  
EMAIL: [athina@alumil.com](mailto:athina@alumil.com)

**ALUMIL  
HEADQUARTERS & FACTORY**  
KILKIS INDUSTRIAL AREA  
KILKIS - GR 61100  
TEL.: +30 23410 79300  
FAX: +30 23410 71988  
EMAIL: [info@alumil.com](mailto:info@alumil.com)

**Alumil**

[www.alumil.com](http://www.alumil.com)

**Alumil**

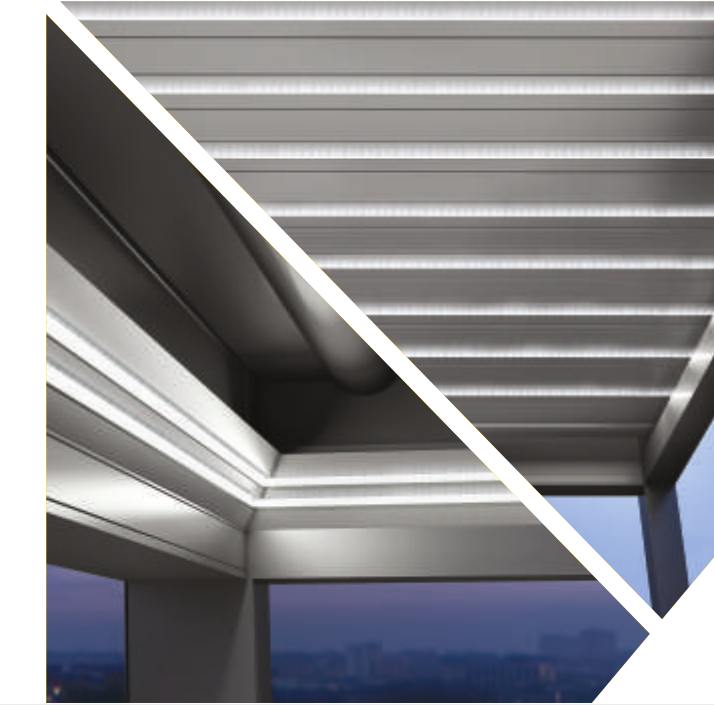


State-of-the-art pergolas that



**SMARTIA**  
PG115P Ithaca

# Elevate your outdoor space



## DIMMABLE LED LIGHTING

Multiple LED solutions can be placed on the louvers and perimetrically on the transoms, offering warm - visible or concealed - lighting, for dining, reading and moments of relaxation during nighttime.

Continuous and not interrupted lighting of high quality and brightness (9.6 Watt). Warm (3200 Kelvin).

When shading subtly blends in with the scenery

## EMBEDDED SOLUTIONS

PG 1 15P Ithaca allows completely embedded installation on existing concrete or metal construction. It differs from the solutions with posts in terms of profile connection and it shows high waterproofing levels and ease of installation as well.

This typology is placed in prefabricated framing structures, suitable for modern residences, hotels, dining areas, bungalows, etc.

1. Flawless operation of the mechanism that stands the test of time.
2. The masonry is protected from moisture via special profiles that seal around the whole structure.
3. The special design with divided profiles (transoms), takes into account the difficulties in access during installation and ensures easy and smooth construction.
4. Rainwater runoff can take place at any point around the perimeter and without any visible points.

\* embedded (without posts)

## INCOMPARABLE ADVANTAGES

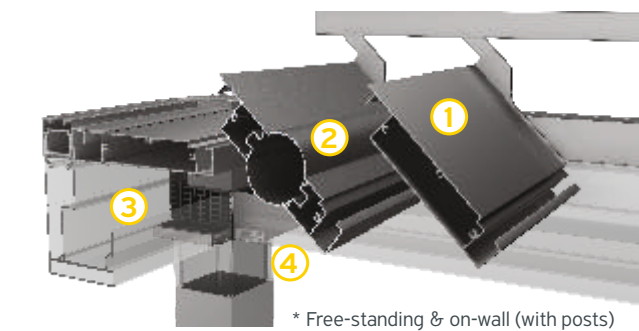
Aluminium pergolas with fully automated rotating louvers, powered by the same innovative rotating mechanism used in PG 1 20P Mykonos & PG 1 60P Santorini.

They are specially designed to offer almost noiseless, adjustable shading and regulated brightness, controlled natural ventilation and total protection from rain, converting an outdoor space into a very comfortable living experience.

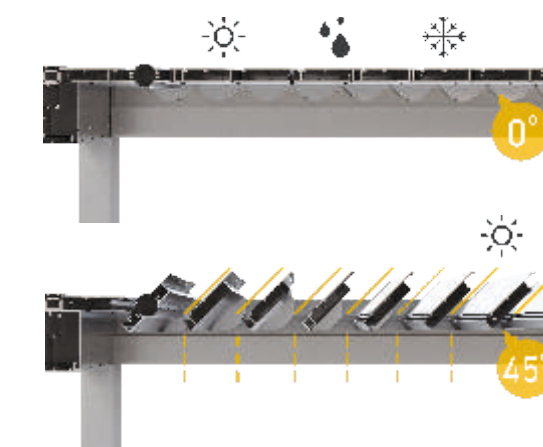
- / Totally controlled living conditions for maximum comfort.
- / Minimal design, with straight lines and flat surfaces, that create a high-aesthetics outcome.
- / Top sturdiness, which allows large dimensions without any problems against strong wind loads (up to 3.0 m height, 4.0 m width & 5.0 m projection, i.e. 20 sqm).
- / High levels of watertightness and an effective drainage system, that helps the rainwater stream down to the floor via its poles.
- / Ease of installation, thanks to its modular design, which guarantees the smooth final construction outcome.
- / Innovative rotation system, which offers an almost noiseless operation, highly durable in time.

## FREE-STANDING & ON-WALL SOLUTIONS (WITH POSTS)

1. High levels of watertightness and leakage avoidance. The incorporated roof system is the one used in the successful PG 1 20P Mykonos & PG 1 60P Santorini.
2. Innovative rotation mechanism, placed inside a special louver, with flawless, long-lasting operation.
3. Effective water drainage system, from the top to the bottom via the posts, using special rubber components and gutter profiles of large dimensions.
4. The modular connection of mullion with transom profiles contributes to the robustness and ease of construction.



## LOUVER POSITIONING



## TYPOLOGIES

Available in a prefabricated kit of single pergolas

- / Free standing, single pergola with four (4) posts.
- / Wall mounted, single pergola with two (2) posts.
- / Embedded in an existing metal or concrete structure, without posts.

