



**Alumil**  
Building excellence every day

**Alumil** > SMARTIA  
M9660 - MD9660



# CONTENTS

## **SMARTIA M9660**

SYNOPSIS OF CHARACTERISTICS	4
VARIETY OF OPTIONS	8
ATTENTION TO DETAIL	10
SECTIONS	12

## **SMARTIA M9660 PHOS**

WHEN THINNEST POSSIBLE SIGHTLINE IS A DEMAND	26
SECTIONS	30

## **SMARTIA MD9660**

ENTRANCE DOORS	32
SECTIONS	34
APPLICATIONS	36
PERFORMANCE	38



### **SMARTIA M9660**

is a hinged, thermally insulated system, designed to meet the requirements of regions with warm climate, offering competitive price combined with considerable thermal insulation performance. These features render SMARTIA M9660 an ideal solution for both new and renovated buildings in private and public projects.

When energy saving  
meets minimal design.

SMARTIA M9660 provides a variety of options...

in terms of **design** (Standard and Minimal) and **energy solutions** (High, Advanced, Standard), that can cover **meet the trends and specifications of contemporary architecture.**



- Basic system depth 56 mm.
- Available in three energy versions: Standard-Advanced-High.
- Minimal look, thanks to concealed sash of 70,5 mm visible aluminium face width (Phos version).
- Special profiles, available for various entrance doors typologies.
- Available in various designs (flat, curved).
- European groove or PVC groove hardware can be applied.
- Certified by the ift Rosenheim institute.



**Alumil** SMARTIA  
M9660

## TECHNICAL

## FEATURES



VISIBLE ALUMINIUM FACE WIDTH	91,5 mm
FRAME HEIGHT	45/55 mm
FRAME WIDTH	56 mm
SASH HEIGHT	63,5/74 mm
SASH WIDTH	63,5 mm
SASH WEIGHT	UP TO 180 kg
GLAZING	FROM 4 UP TO 47 mm
INSULATION	POLYAMIDES 24MM WIDTH, NRG BAR, PE INSULATION FOAM



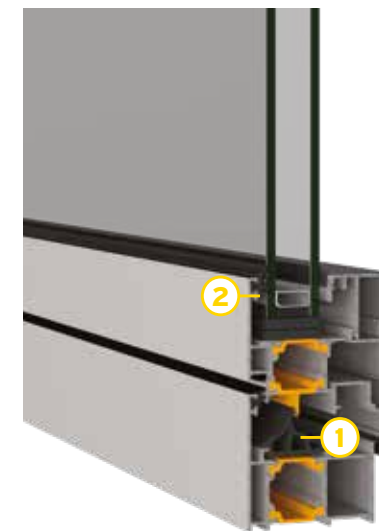
## VARIETY

## OF OPTIONS

### Energy versions

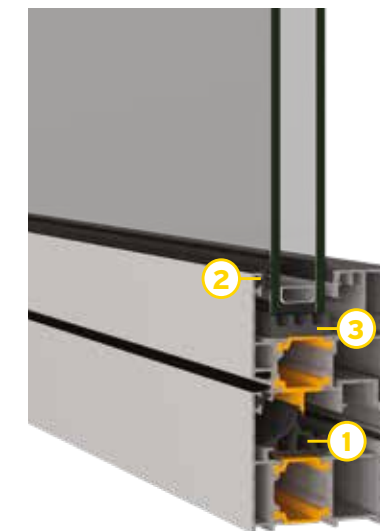
By choosing among different accessories, SMARTIA M9660 provides three different energy versions, satisfying every demand in terms of thermal efficiency.

#### STANDARD



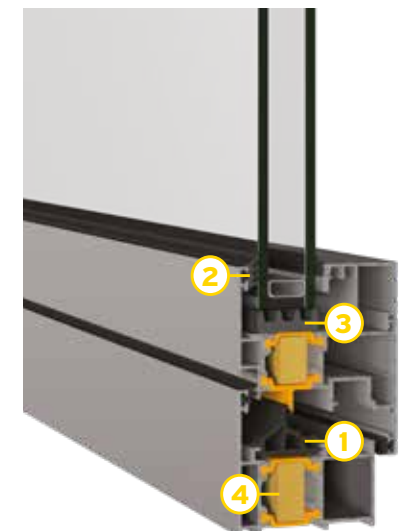
- 1. Multi chamber EPDM central gasket
- 2. One chamber EPDM wedge gasket

#### ADVANCED



- 1. Multi chamber EPDM central gasket
- 2. One chamber EPDM wedge gasket
- 3. PE Insulation Foam

#### HI



- 1. Multi chamber EPDM central gasket
- 2. One chamber EPDM wedge gasket
- 3. PE Insulation Foam
- 4. Energy Bar

## ATTENTION

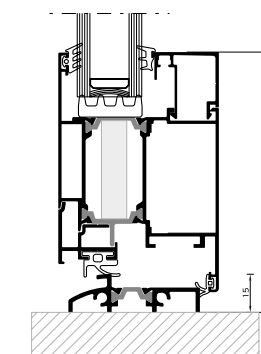
## TO DETAIL

### Secondary entrance doors

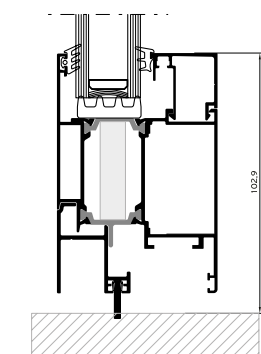
System's flexibility offers solutions in typologies that are mainly used as secondary entrance doors.

Pedestrian doors are available with three bottom configurations:

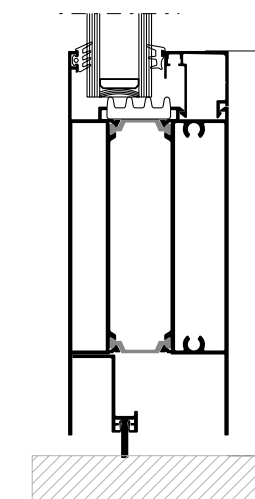
- Low threshold of 15mm height, which is in line with the legislation for Persons with Disabilities
- Without threshold
- Kickplate



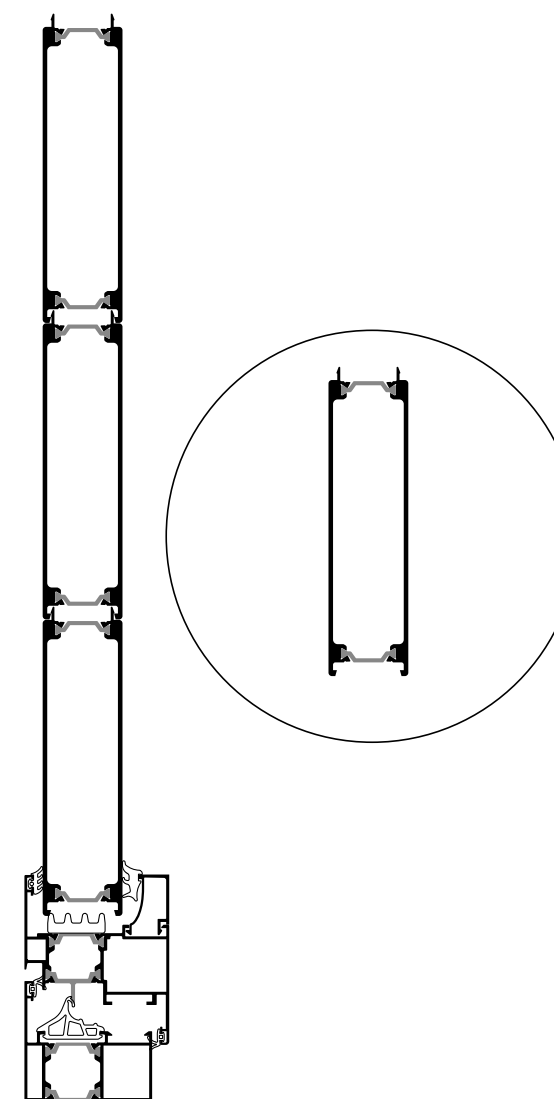
Low Threshold



Without Threshold



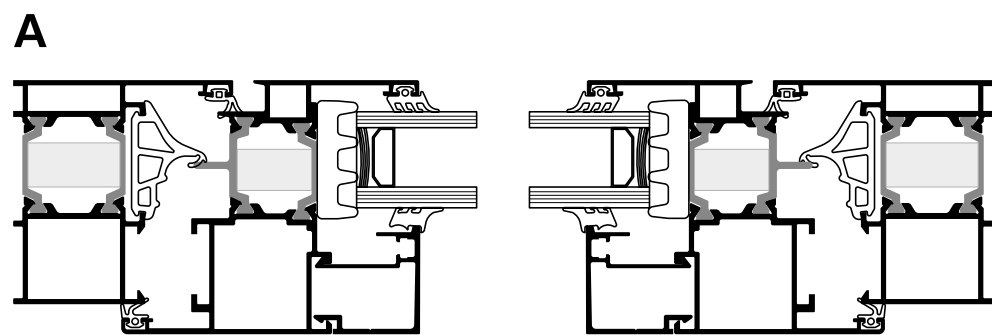
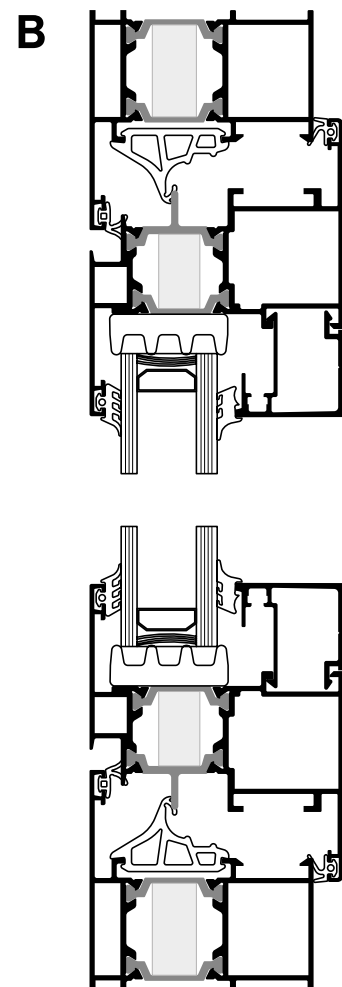
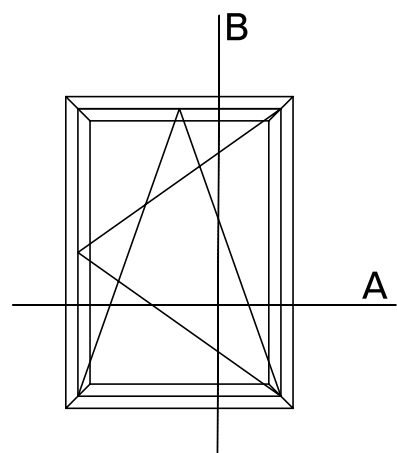
Kickplate



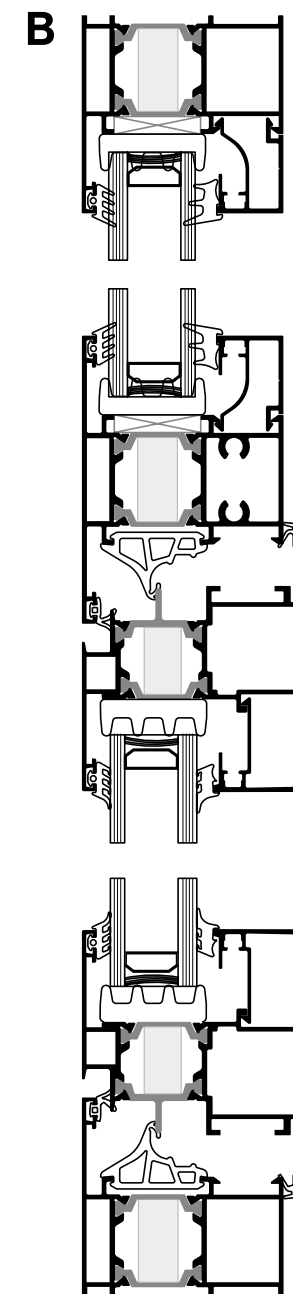
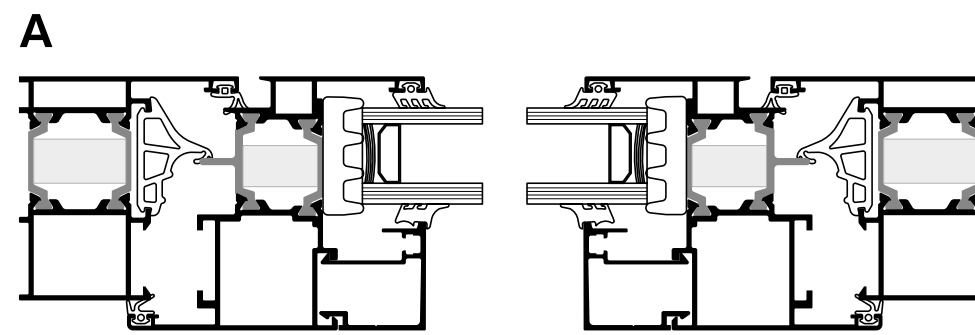
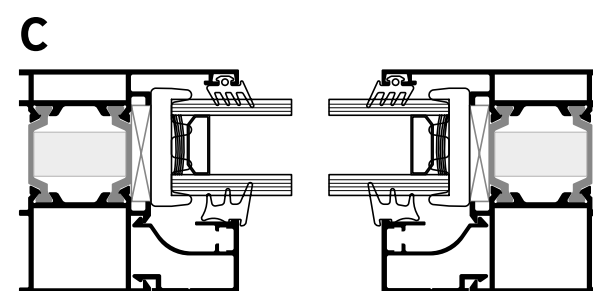
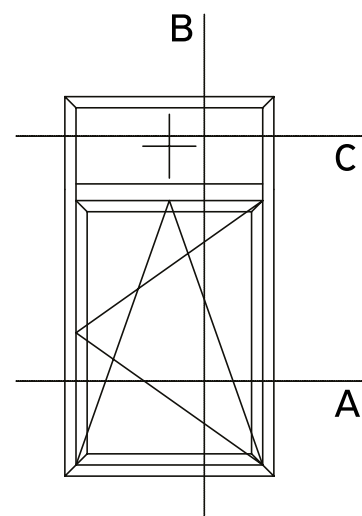
### Shutter Panel Infill

Instead of using aluminium panel as infill, SMARTIA M9660 offers an alternative option, providing a thermal break shutter profile, which contributes significantly to the total thermal efficiency.

### 1 Sash

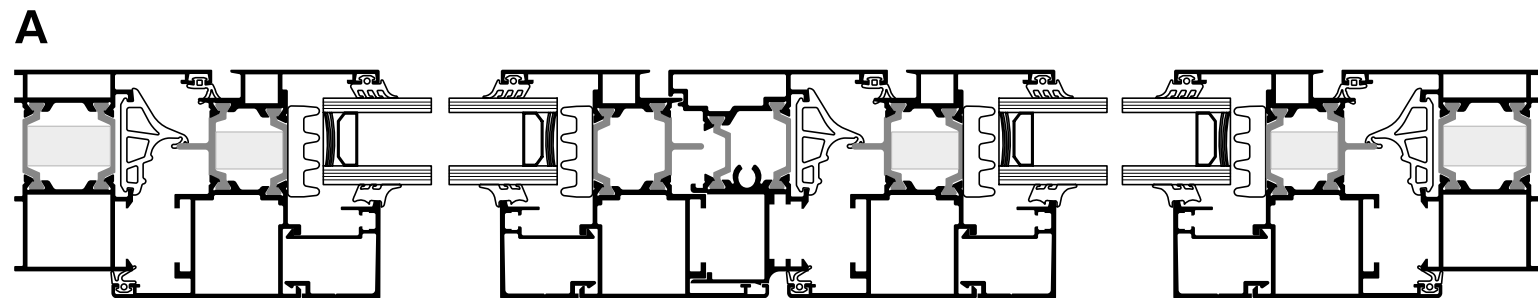
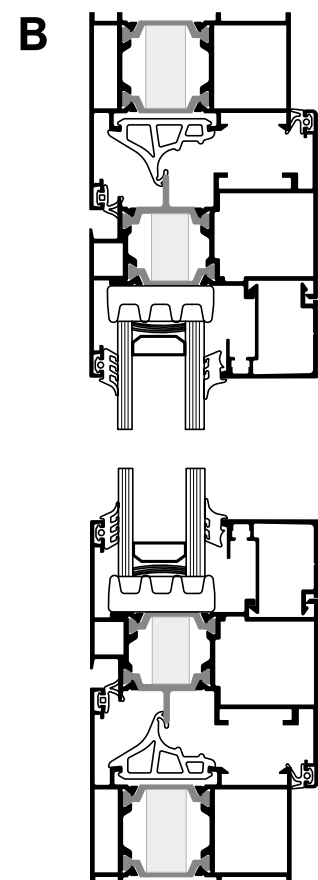
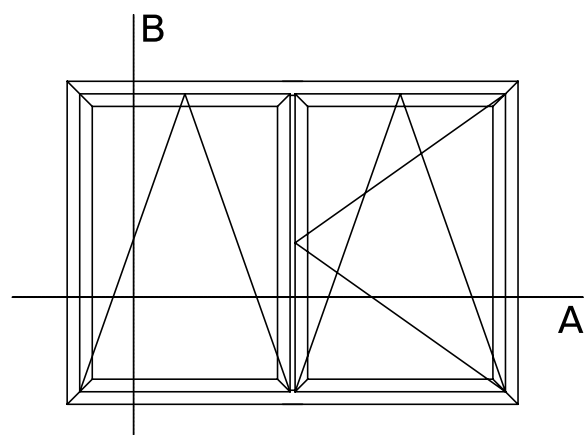


### 1 Sash / Fixed light

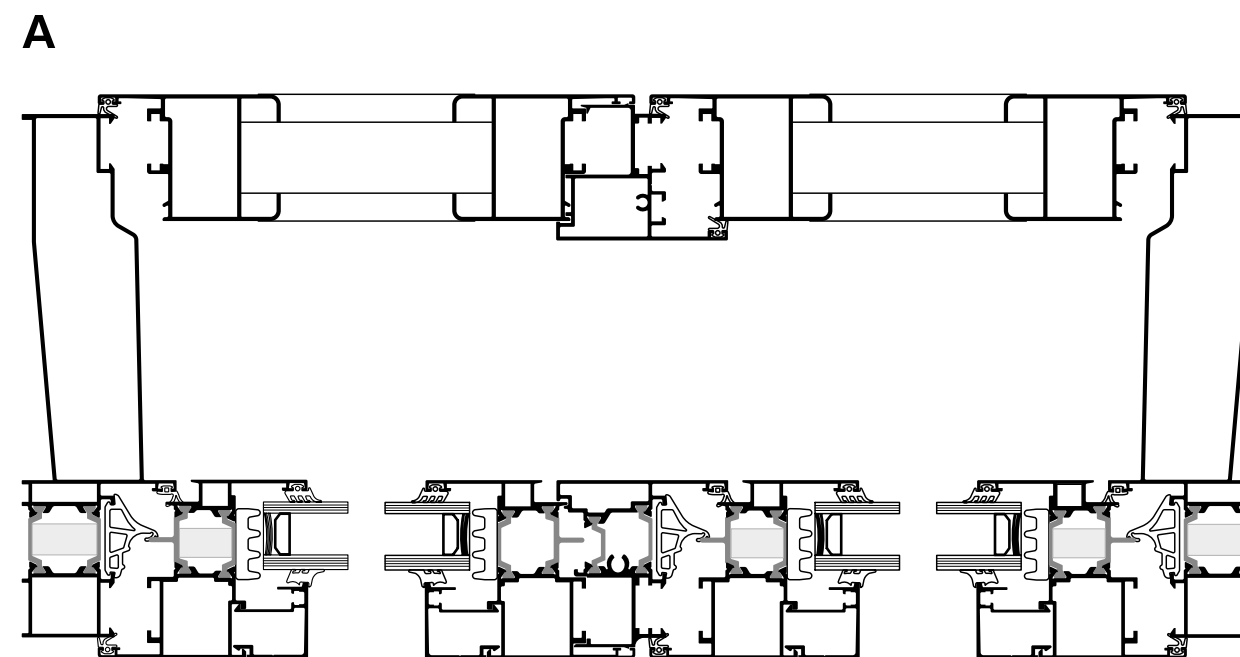
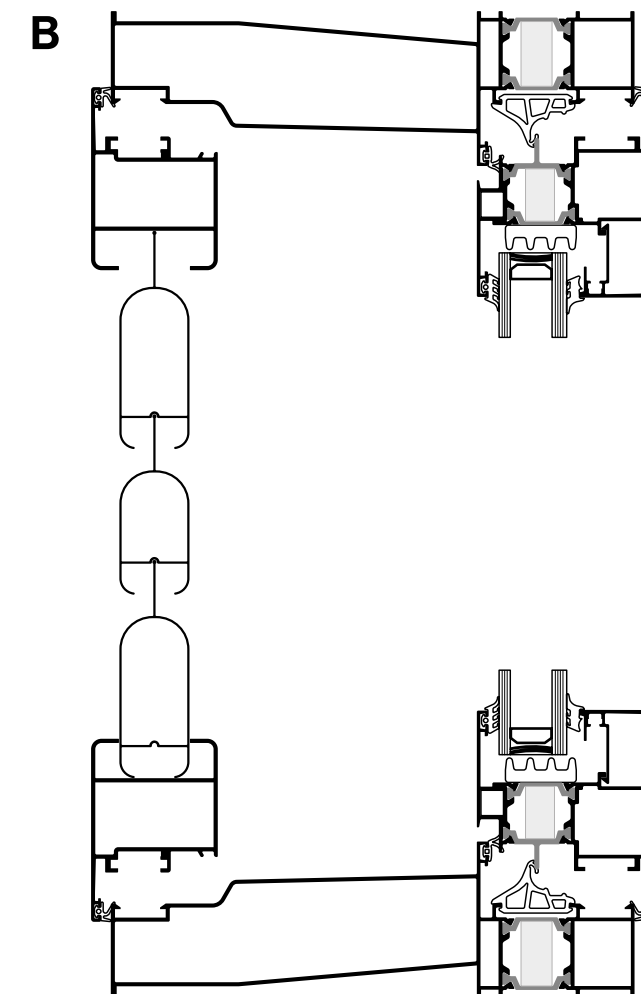
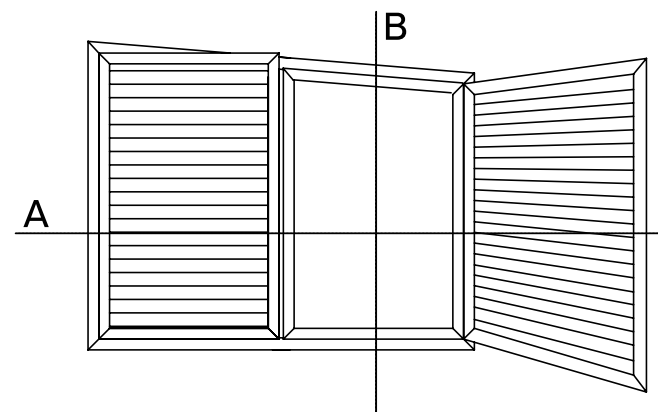




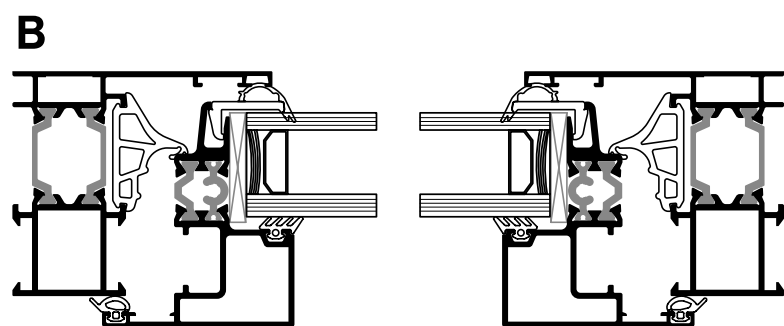
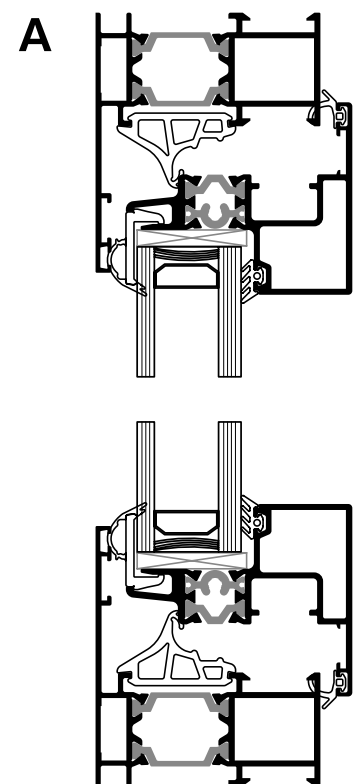
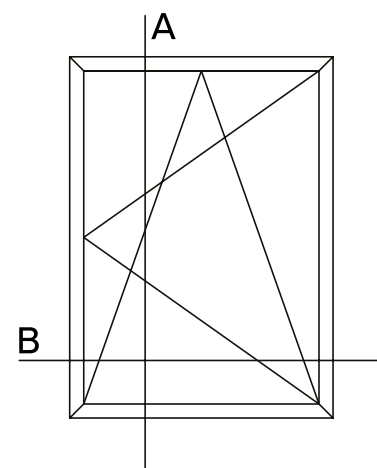
### 2 Sashes



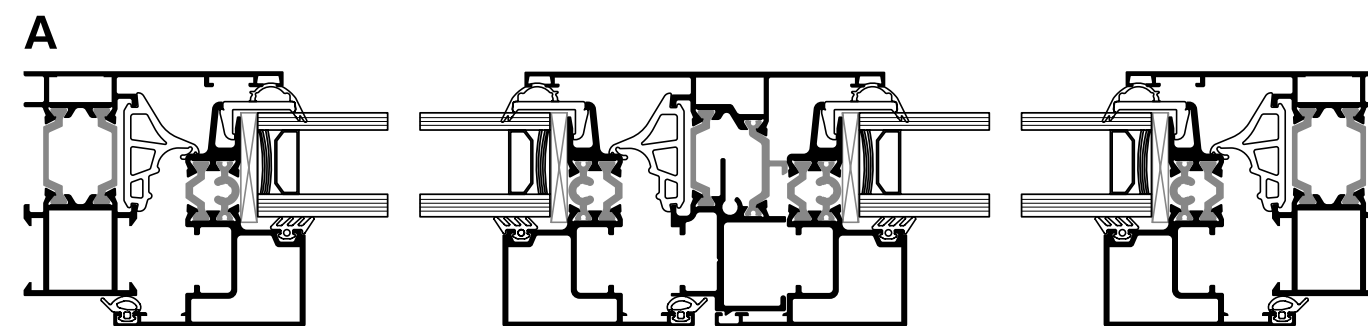
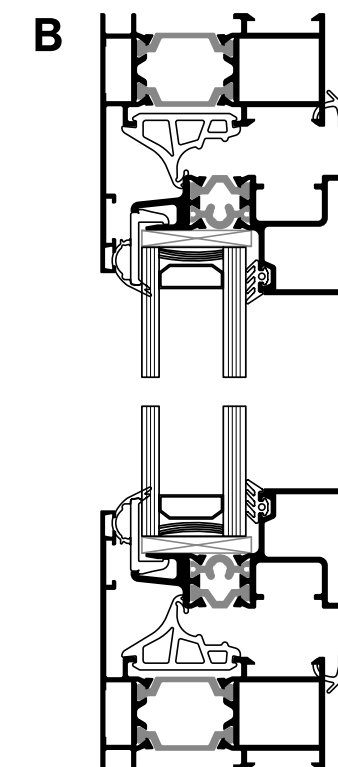
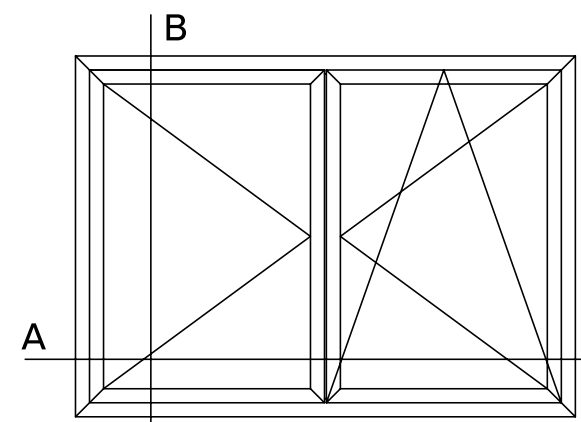
### 2 Sashes / Shutter



### 1 Sash / Hi

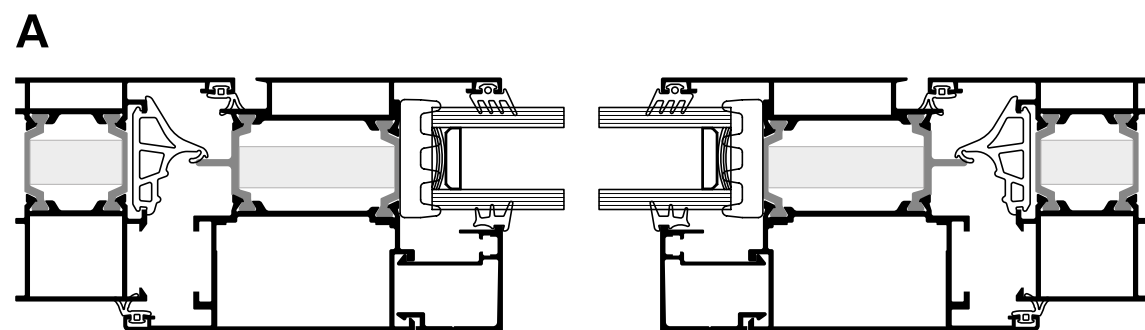
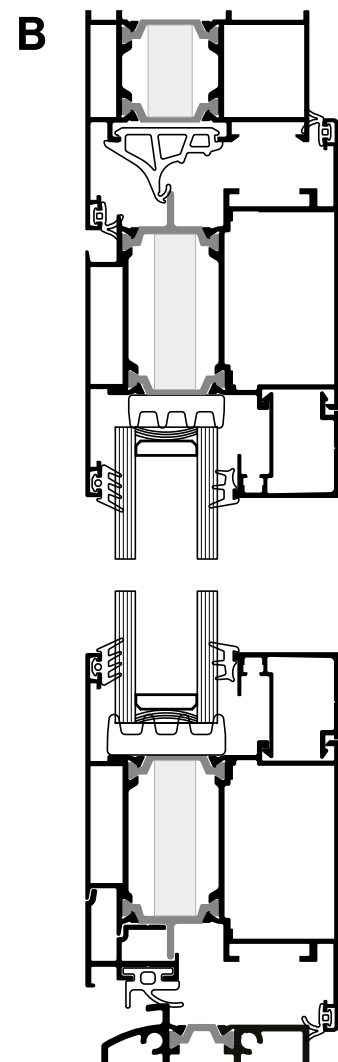
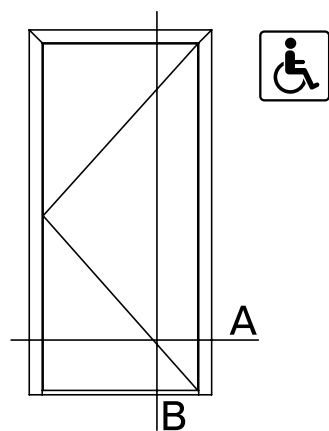


### 2 Sashes / Hi

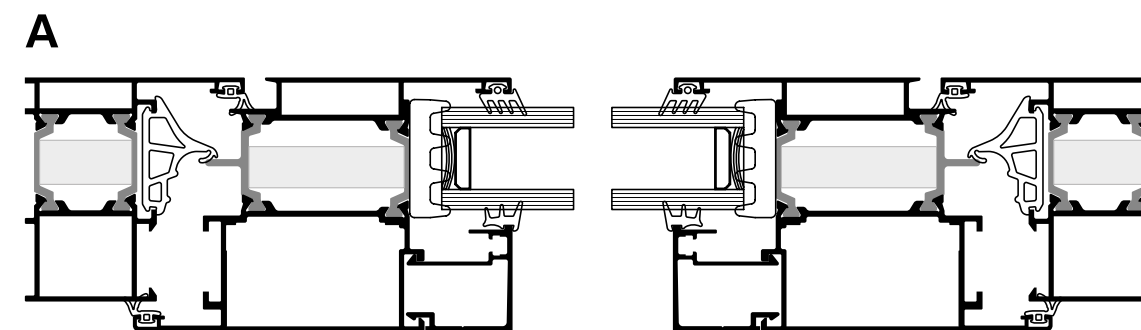
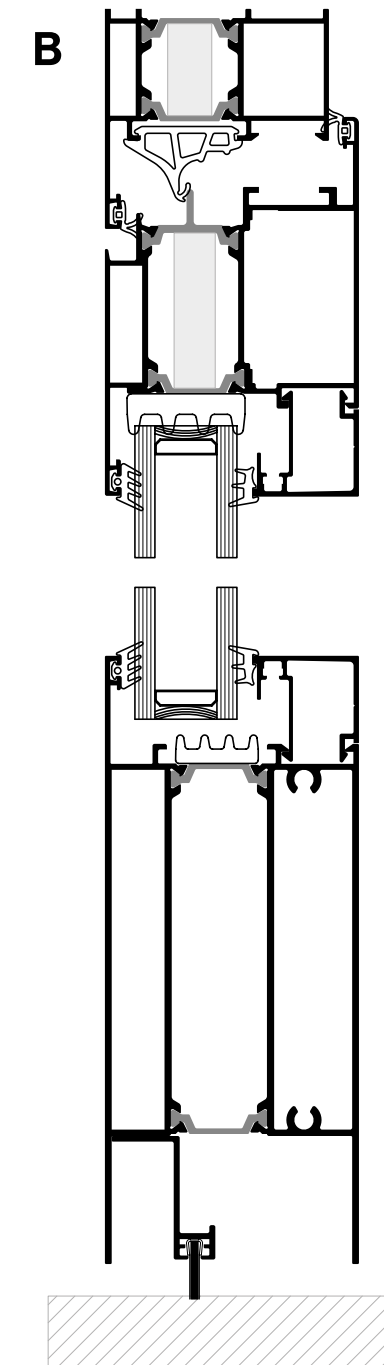
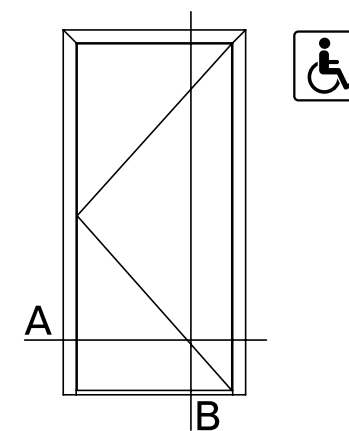


## SECONDARY ENTRANCE DOORS

### 1 Sash / Inwards

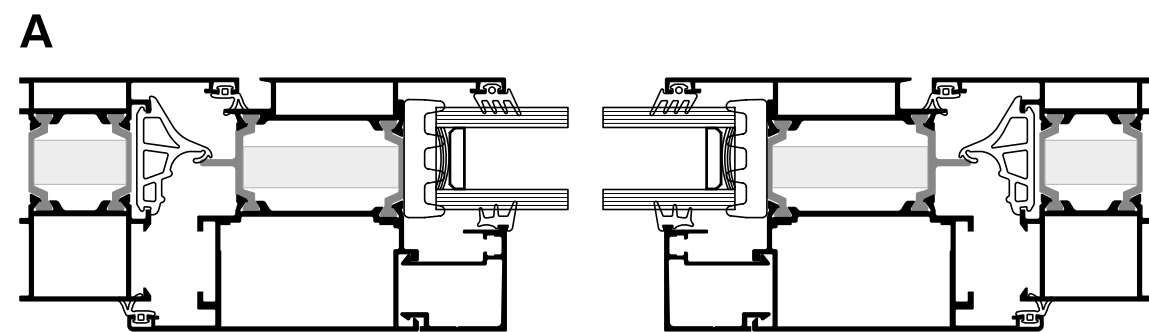
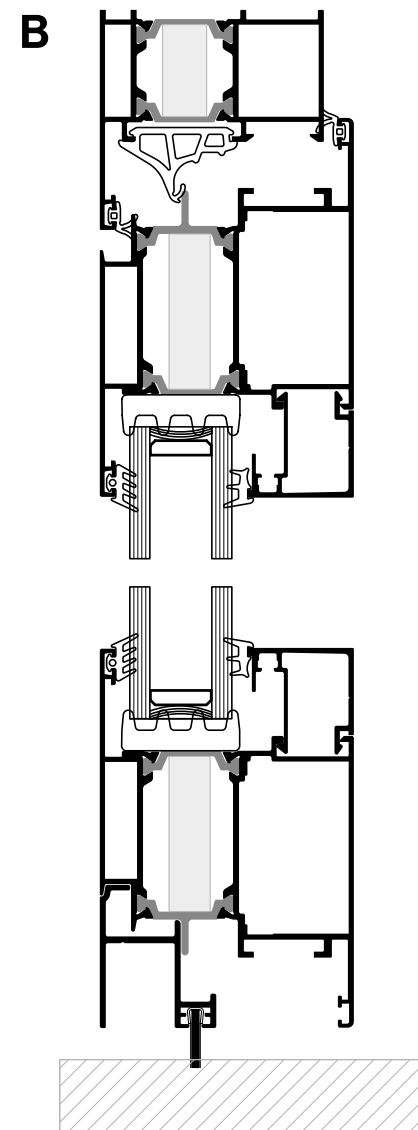
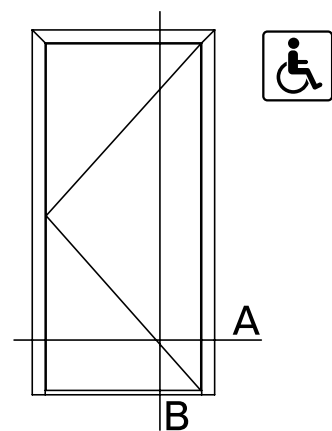


### 1 Sash / Inwards / Kickplate

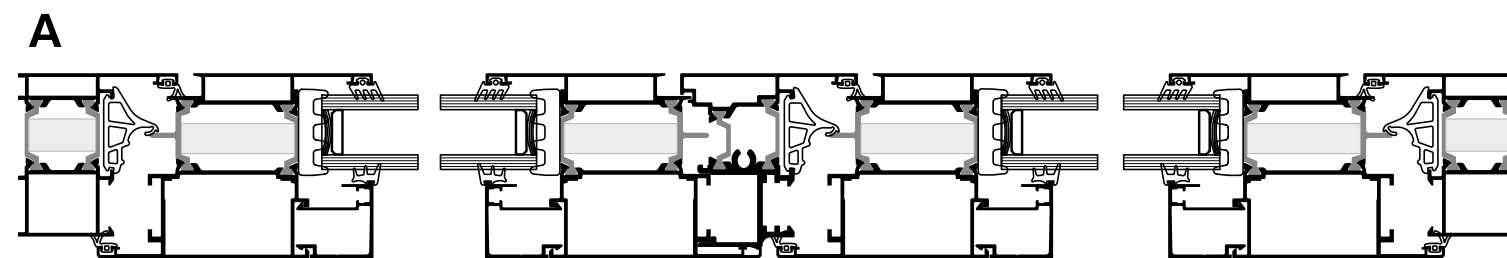
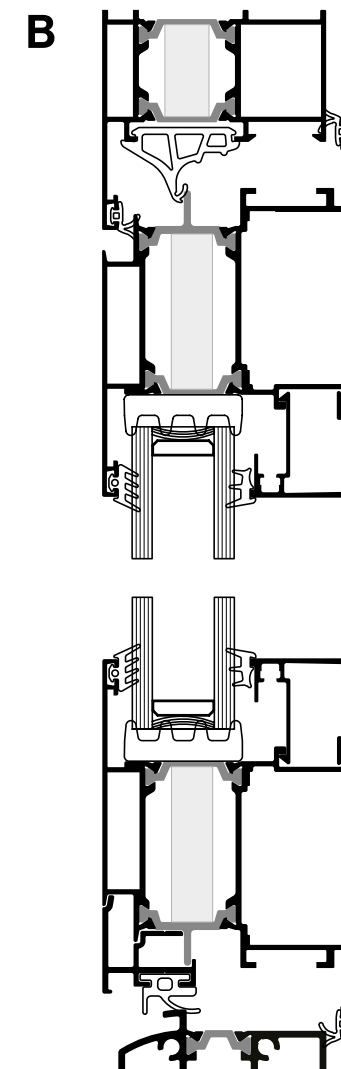
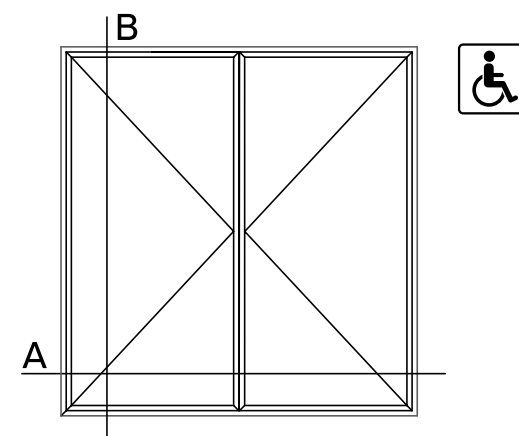


## SECONDARY ENTRANCE DOORS

### 1 Sash / Inwards

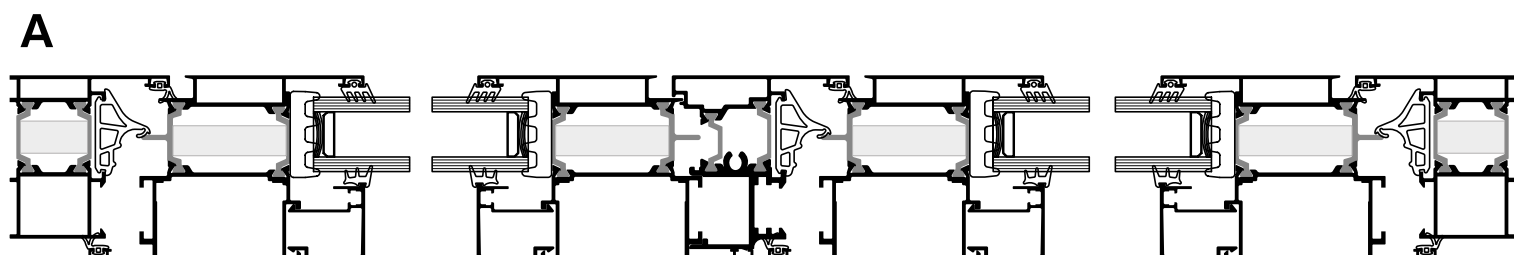
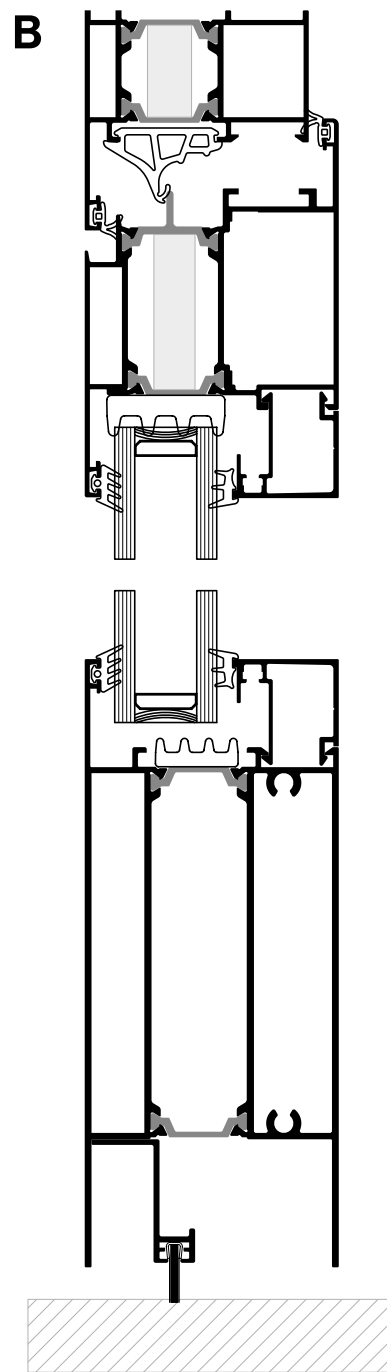
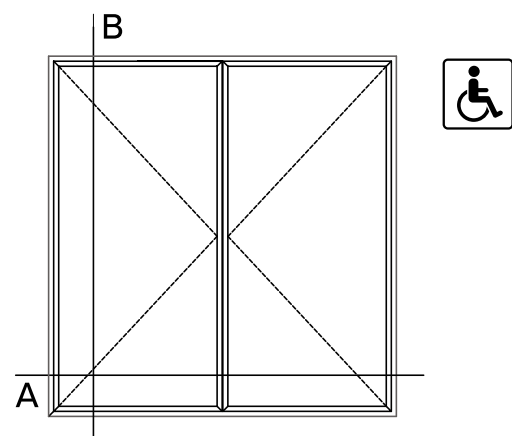


### 2 Sashes / Inwards

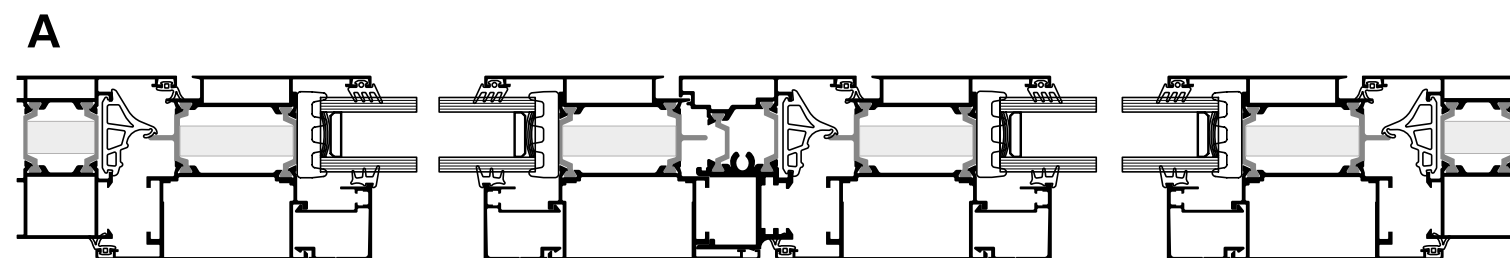
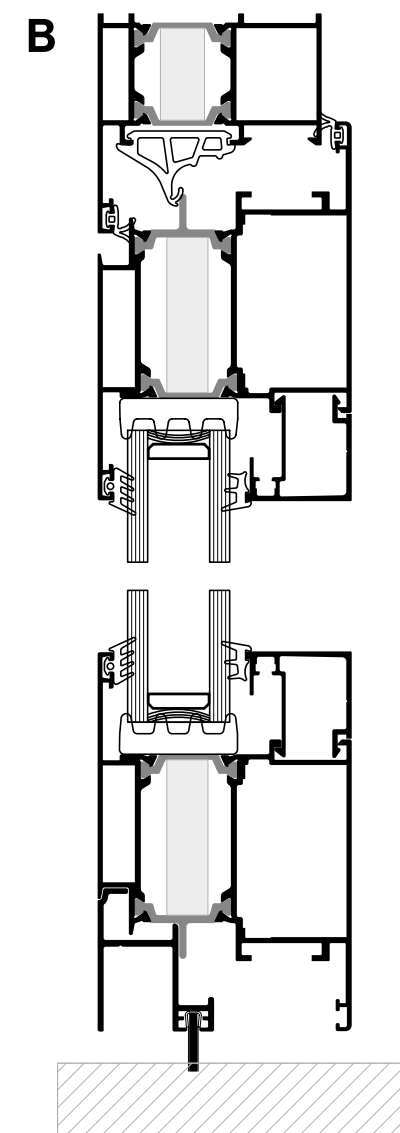
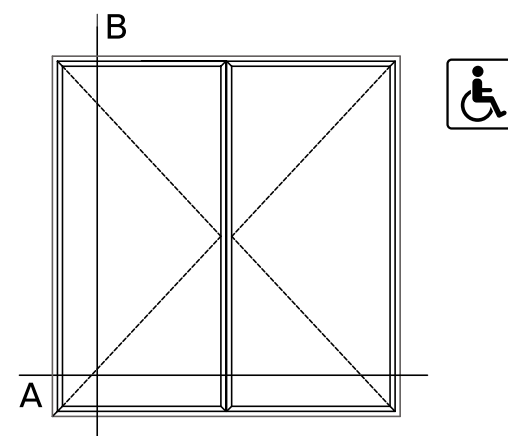


## SECONDARY ENTRANCE DOORS

### 2 Sashes / Inwards / Kickplate

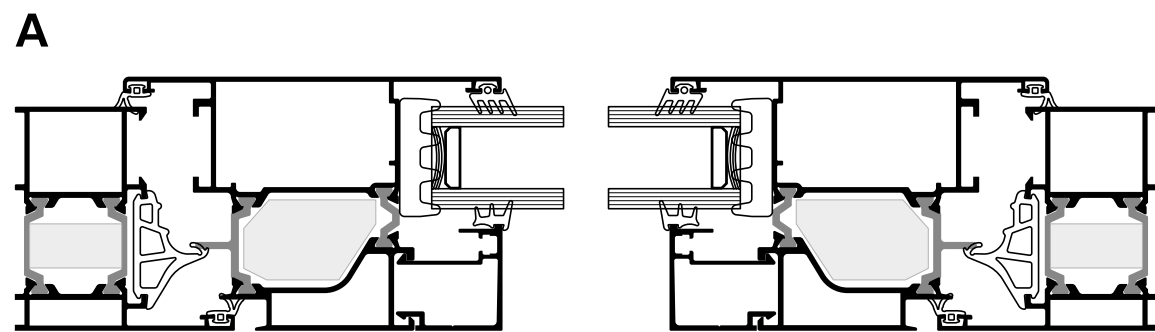
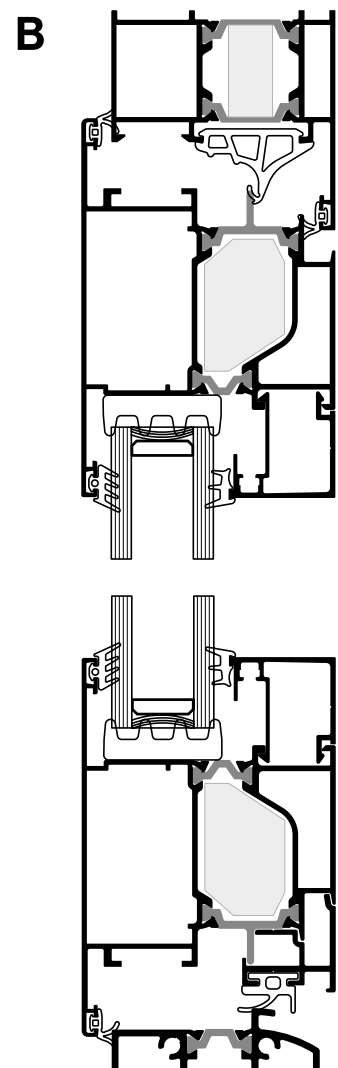
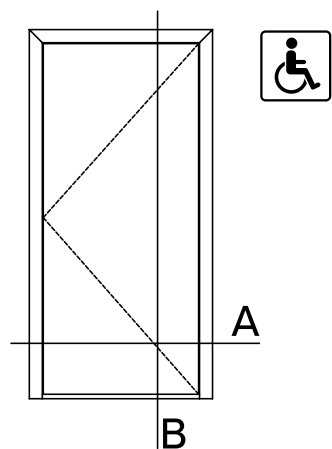


## 2 Sashes / Inwards

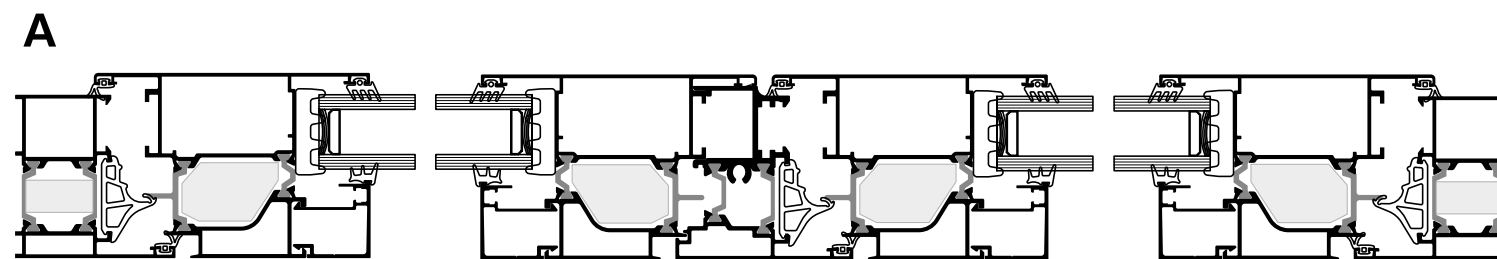
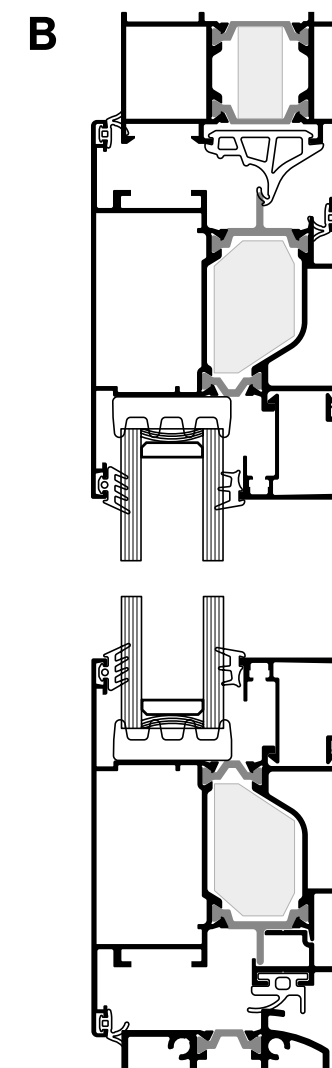
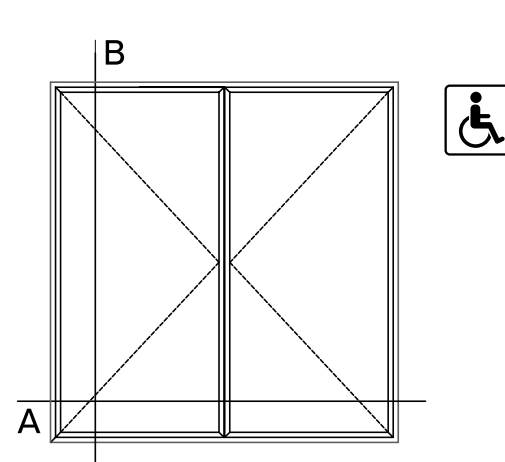


## SECONDARY ENTRANCE DOORS

### 1 Sash / Outwards



### 2 Sashes / Outwards



SMARTIA M9660 PHOS offers a competitive alternative option in **concealed sash typologies**.

Thanks to its 70,5 mm visible sightline, **natural light is maximized**, providing a totally **minimal look** in the building.

Moreover, SMARTIA M9660 PHOS **provides a holistic approach** in projects that require standard and concealed design.



The system is available in two versions:



**M9660 PHOS-Standard**  
Non-thermal break sash



**M9660 PHOS-High**  
Thermal break sash

**Alumil** SMARTIA  
M9660 PHOS

## TECHNICAL

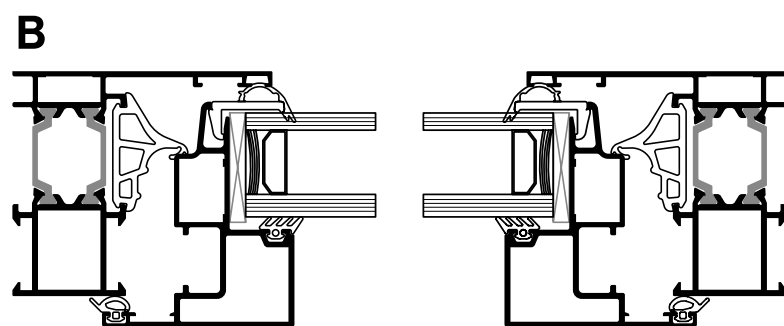
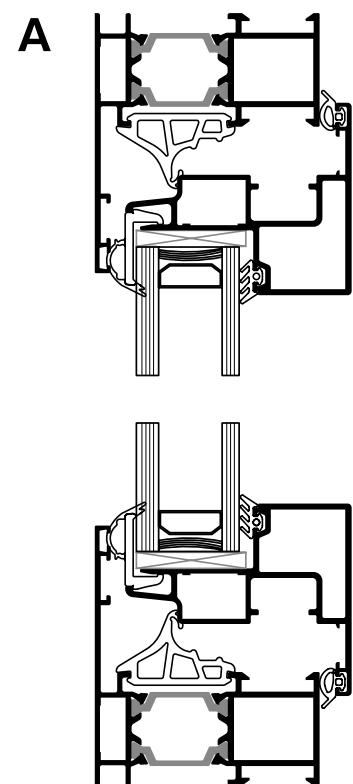
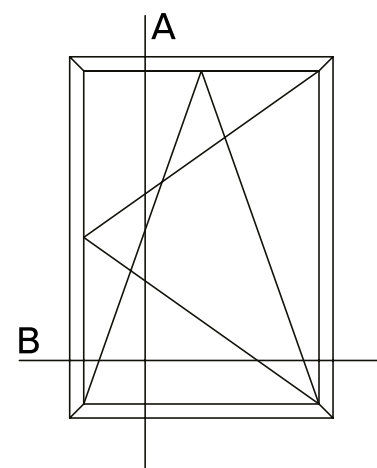
## FEATURES



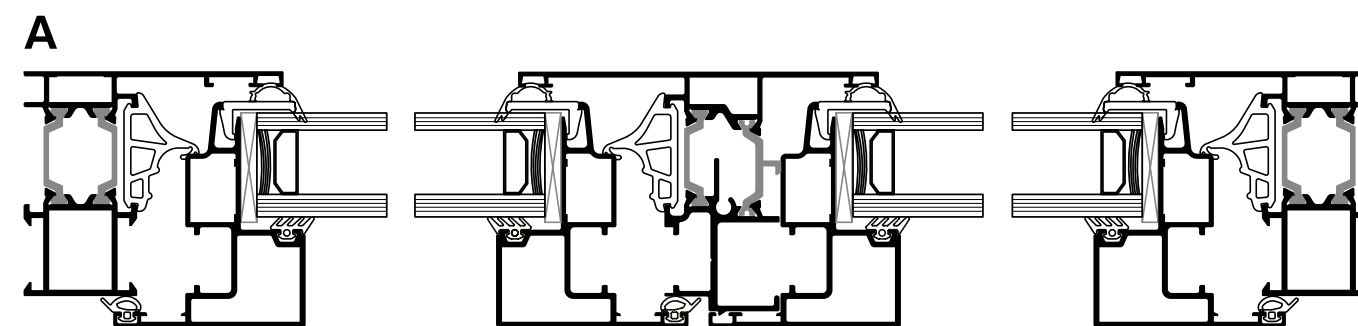
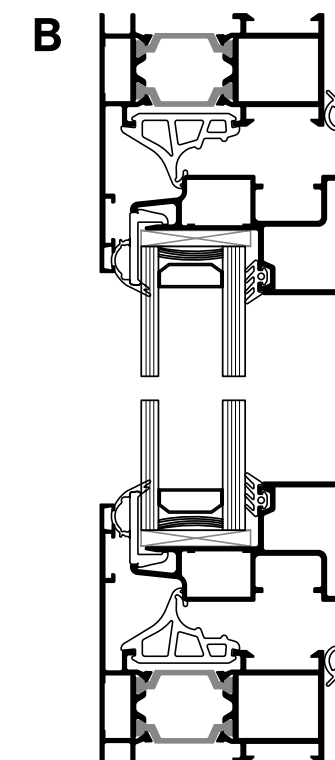
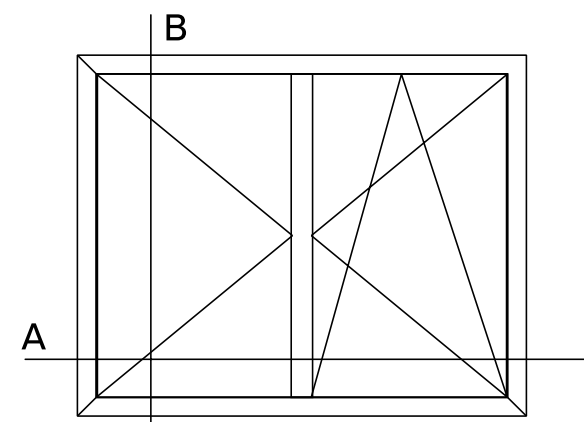
VISIBLE ALUMINIUM FACE WIDTH	70,5 mm
FRAME HEIGHT	65 mm
FRAME WIDTH	56 mm
SASH HEIGHT	48 mm
SASH WIDTH	56 mm
SASH WEIGHT	UP TO 180 kg
GLAZING	26 mm
INSULATION	POLYAMIDES 14MM WIDTH



### 1 Sash / Standard



### 2 Sashes / Standard



## Main entrance doors (flush) with MD9660

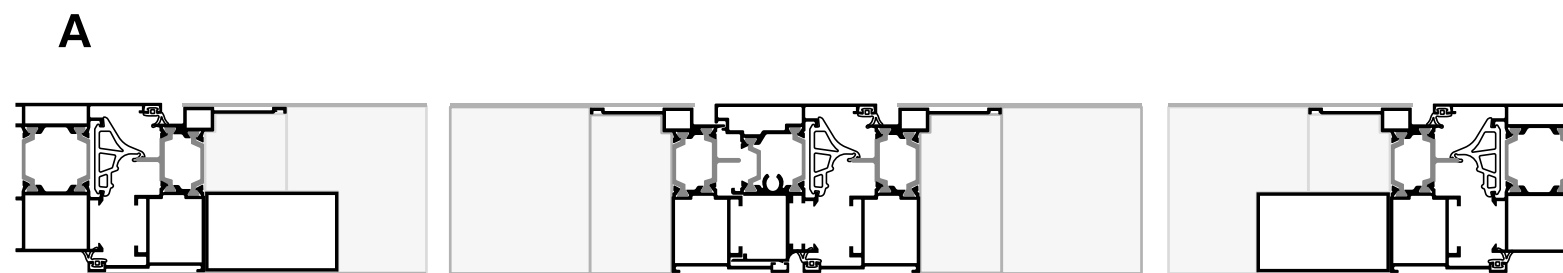
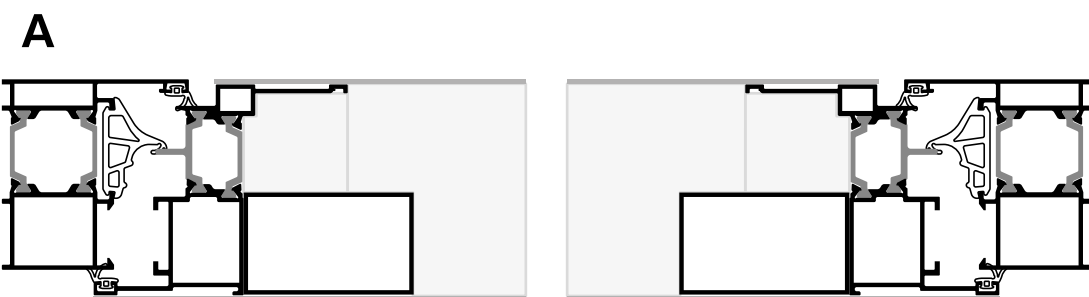
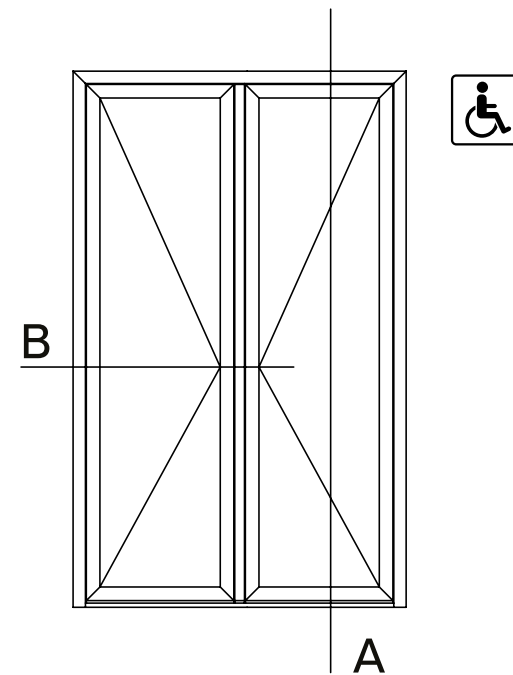
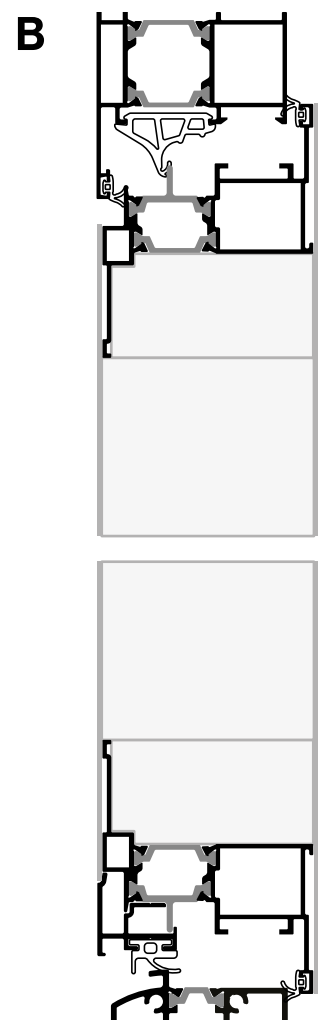
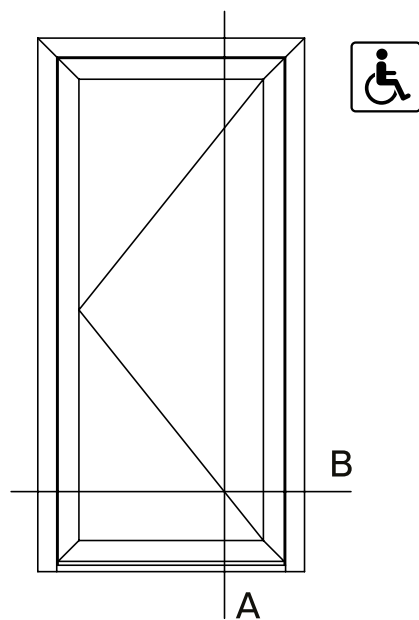
SMARTIA M9660, offers competitive entrance doors, maintaining at the same time, **the quality** and **credibility** of an advanced entrance door system.

Thanks to its flat design, it is a magnificent solution for **innovative projects of modern architectural approach.**



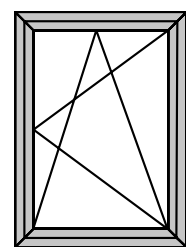
### 1 Sash / Inwards

### 2 Sashes / Inwards

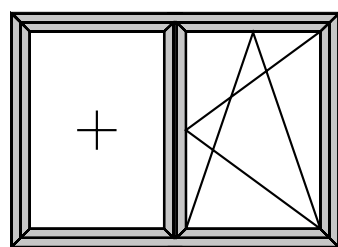


# Applications

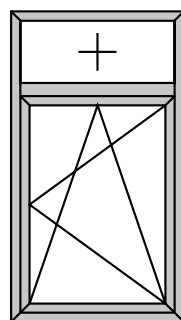
## SMARTIA M9660



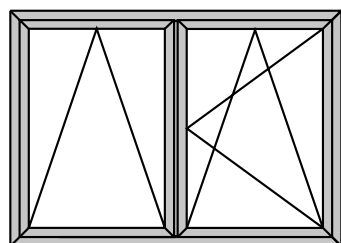
SINGLE TILT & TURN CASEMENT



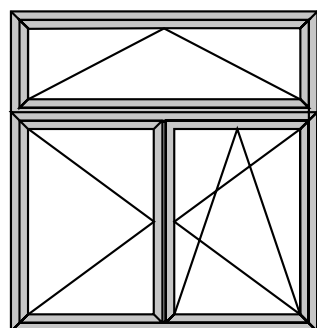
SINGLE TILT & TURN WITH FIXED LIGHT



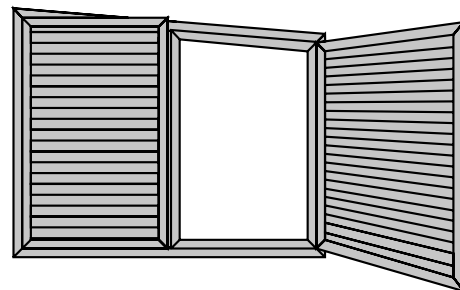
SINGLE TILT & TURN CASEMENT WITH FUNLIGHT



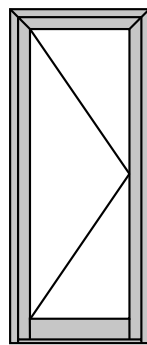
SINGLE TILT & TURN WITH SIDE - HUNG CASEMENT



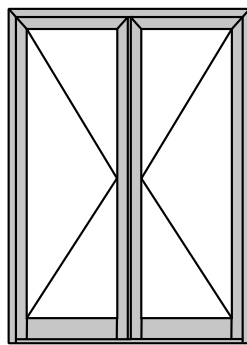
SINGLE TILT & TURN WITH SIDE - HUNG AND BOTTOM HUNG CASEMENT



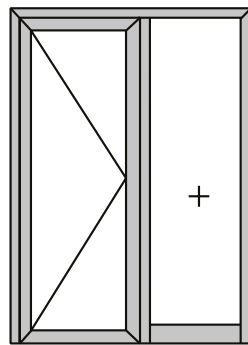
SINGLE TILT & TURN WITH SIDE - HUNG CASEMENT & WITH SHUTTER



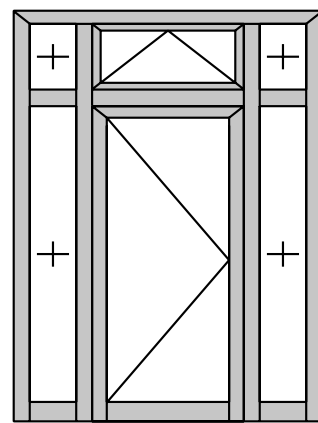
SINGLE LEAF DOOR



DOUBLE LEAF DOOR

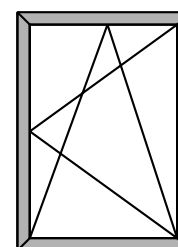


SINGLE LEAF DOOR WITH FIXED LIGHT

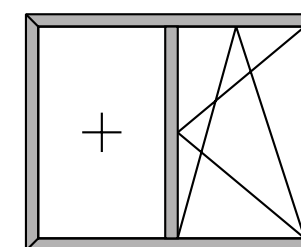


SINGLE LEAF DOOR WITH FANLIGHT AND FIXED LIGHTS

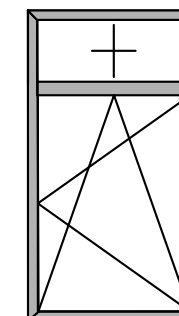
## SMARTIA M9660 PHOS



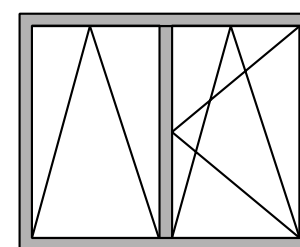
SINGLE TILT & TURN CASEMENT



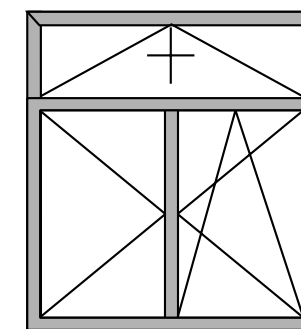
SINGLE TILT & TURN WITH FIXED LIGHT



SINGLE TILT & TURN CASEMENT WITH FUNLIGHT

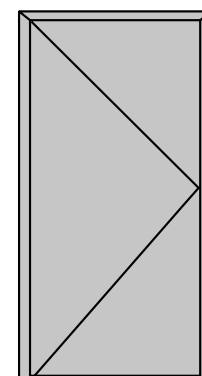


SINGLE TILT & TURN WITH SIDE - HUNG CASEMENT

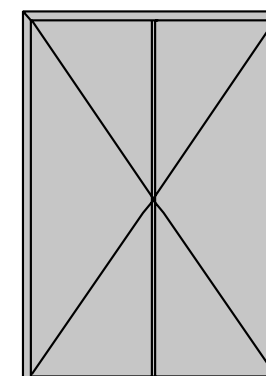


SINGLE TILT & TURN WITH SIDE - HUNG AND BOTTOM HUNG CASEMENT

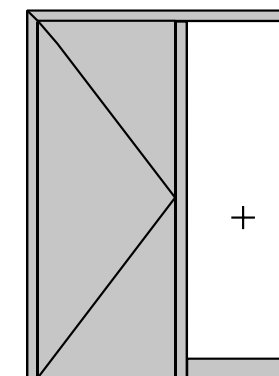
## SMARTIA MD9660



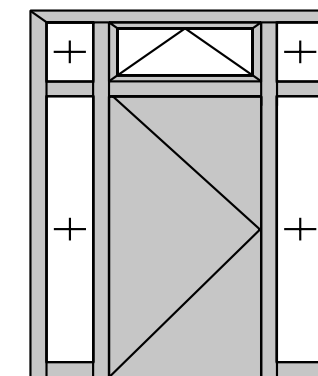
SINGLE LEAF DOOR WITH INSULATION PANEL



DOUBLE LEAF DOOR WITH INSULATION PANEL









SINGLE LEAF DOOR WITH INSULATION PANEL AND FIXED LIGHT



SINGLE LEAF DOOR WITH INSULATION PANEL, FANLIGHT AND FIXED LIGHTS





# Table of performance

SMARTIA  
M9660

CERTIFICATION	CLASSIFICATION									
 <b>WATER TIGHTNESS</b> EN 12208	1A (0 Pa)	2A (50 Pa)	3A (100 Pa)	4A (150 Pa)	5A (200 Pa)	6A (250 Pa)	7A (300 Pa)	8A (450 Pa)	9A (600 Pa)	<b>E1650</b> (1650 Pa)
 <b>AIR PERMEABILITY</b> EN 12207	1		2			3			4	
 <b>WIND LOAD RESISTANCE</b> MAX TEST PRESSURE EN 12210	1 (400 Pa)		2 (800 Pa)		3 (1200 Pa)		4 (1600 Pa)		5 (2000 Pa)	
 <b>WIND LOAD RESISTANCE</b> TO FRONTAL DEFLECTION EN 12210	A ( $\leq 1/150$ )			B ( $\leq 1/200$ )			C ( $\leq 1/300$ )			
 <b>BURGLAR RESISTANCE</b> EN 1627 -1630	RC 1			RC 2				RC 3		
 <b>SOUND REDUCTION</b> EN ISO 140-3	Rw (C;Ctr) = 45 (-1, -8) dB depending from the glazing type									

THERMAL PERFORMANCE	DIMENSIONS IN MM (W x H)	$U_w$ in $W/m^2K$ ( $U_g = 0,6$ )	$U_w$ in $W/m^2K$ ( $U_g = 0,8$ )	$U_w$ in $W/m^2K$ ( $U_g = 1,0$ )
1 SASHES / HI	1000 x 2200	1,09	1,24	1,38
2 SASHES / HI	1500 x 2200	1,17	1,31	1,46
1 SASHES / ADVANCED	1000 x 2200	1,18	1,32	1,47
2 SASHES / ADVANCED	1500 x 2200	1,26	1,40	1,55
1 SASH / STANDARD	1000 x 2200	1,21	1,35	1,49
2 SASHES / STANDARD	1500 x 2200	1,30	1,44	1,60

SMARTIA  
M9660 PHOS

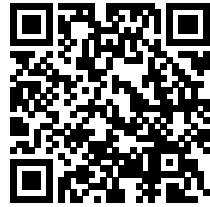
CERTIFICATION	CLASSIFICATION									
 <b>WATER TIGHTNESS</b> EN 12208	1A (0 Pa)	2A (50 Pa)	3A (100 Pa)	4A (150 Pa)	5A (200 Pa)	6A (250 Pa)	<b>7A</b> (300 Pa)	8A (450 Pa)	9A (600 Pa)	
 <b>AIR PERMEABILITY</b> EN 12207	1		2			3			4	
 <b>WIND LOAD RESISTANCE</b> MAX TEST PRESSURE EN 12210	1 (400 Pa)		2 (800 Pa)		3 (1200 Pa)		4 (1600 Pa)		5 (2000 Pa)	
 <b>WIND LOAD RESISTANCE</b> TO FRONTAL DEFLECTION EN 12210	A ( $\leq 1/150$ )			B ( $\leq 1/200$ )			C ( $\leq 1/300$ )			

THERMAL PERFORMANCE	DIMENSIONS IN MM (W x H)	$U_w$ in $W/m^2K$ ( $U_g = 0,9$ )	$U_w$ in $W/m^2K$ ( $U_g = 1,1$ )	$U_w$ in $W/m^2K$ ( $U_g = 1,3$ )
1 SASHES / HI	1000 x 2200	1,31	1,47	1,63
2 SASHES / HI	1500 x 2200	1,36	1,52	1,68
1 SASH / STANDARD	1000 x 2200	1,45	1,61	1,77
2 SASHES / STANDARD	1500 x 2200	1,53	1,69	1,84

www.alumil.com

**DISCOVER MORE:**

M9660



M9660 PHOS



MD9660



**ALUMIL  
HEAD OFFICES  
& SHOWROOM - THESSALONIKI**

GOGOUSI 8, EFKARPIA  
THESSALONIKI - GR 56429  
TEL.: +30 2313011000  
FAX.: +30 231692473  
E-MAIL.: info@alumil.com

**ALUMIL  
HEADQUARTERS**

KILKIS INDUSTRIAL AREA  
KILKIS - GR 61100  
TEL.: +30 23410 79300  
FAX.: +30 23410 71988  
E-MAIL.: info@alumil.com



**ALUMIL  
HEAD OFFICES  
& SHOWROOM - THESSALONIKI**

GOGOUSI 8, EFKARPIA  
THESSALONIKI - GR 56429

TEL.: +30 2313 011000  
FAX.: +30 2310 692473  
EMAIL.: info@alumil.com

**ALUMIL  
HEADQUARTERS**

KILKIS INDUSTRIAL AREA  
KILKIS - GR 61100

TEL.: +30 23410 79300  
FAX.: +30 23410 71988  
EMAIL.: info@alumil.com

[www.alumil.com](http://www.alumil.com)

**alumil**